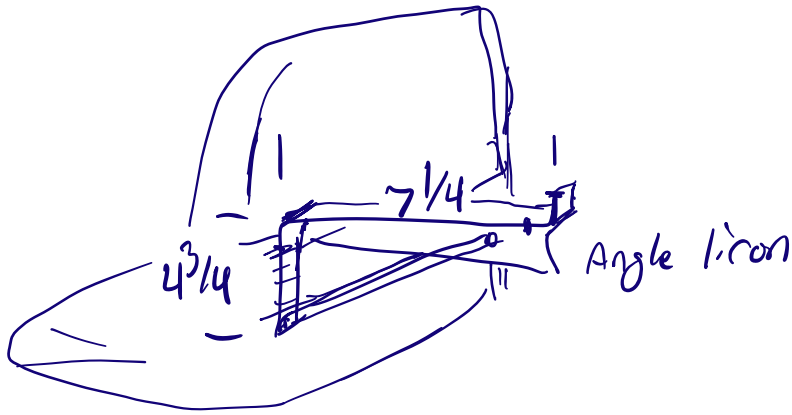


# Tool box holder

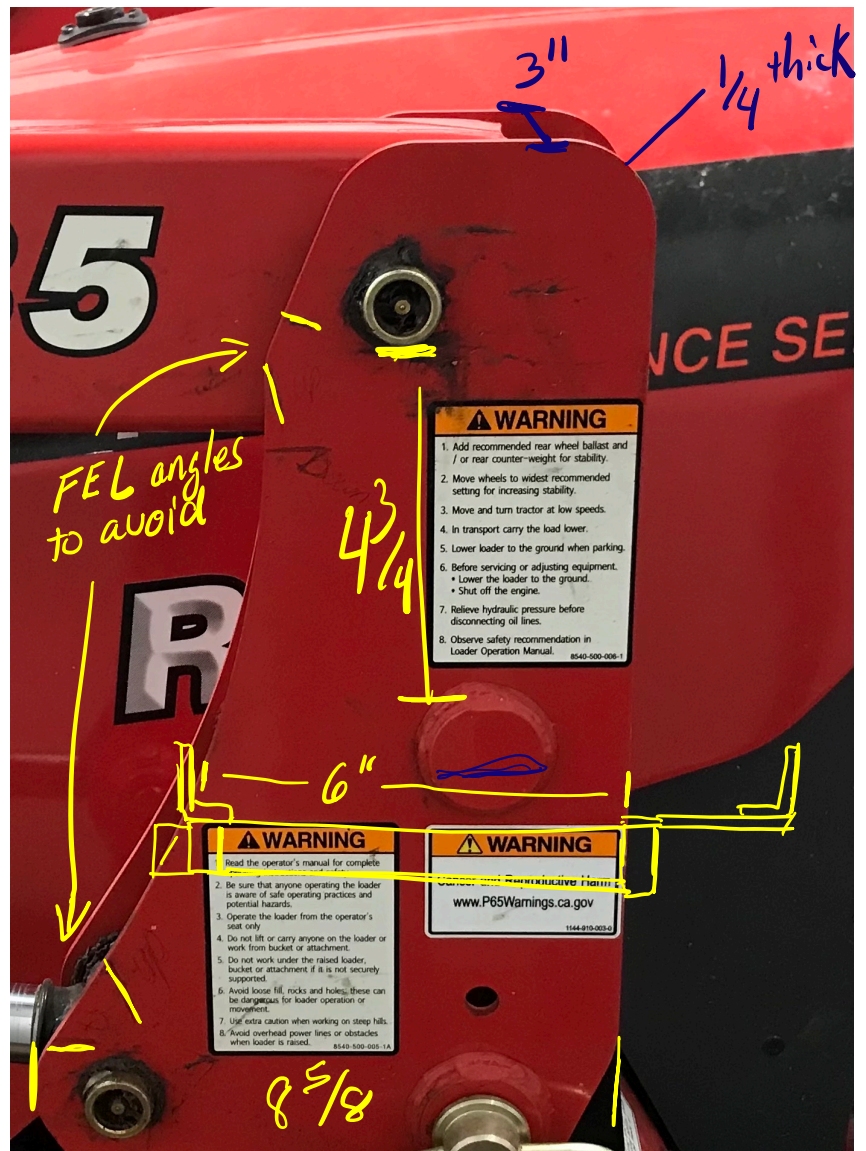
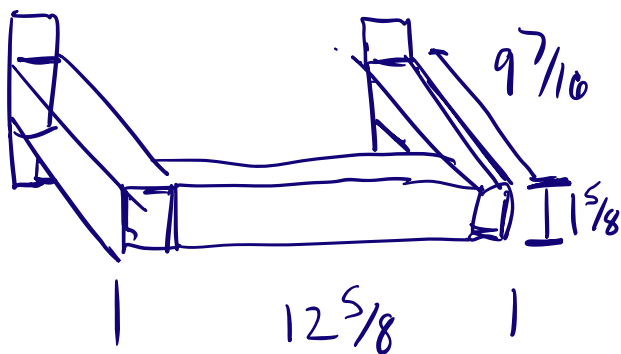
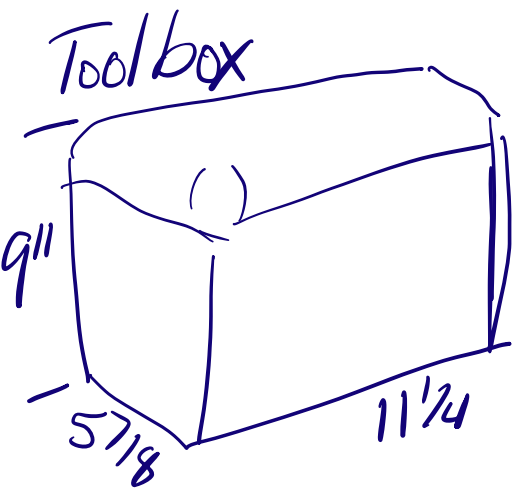
2 options



attach to back of seat.

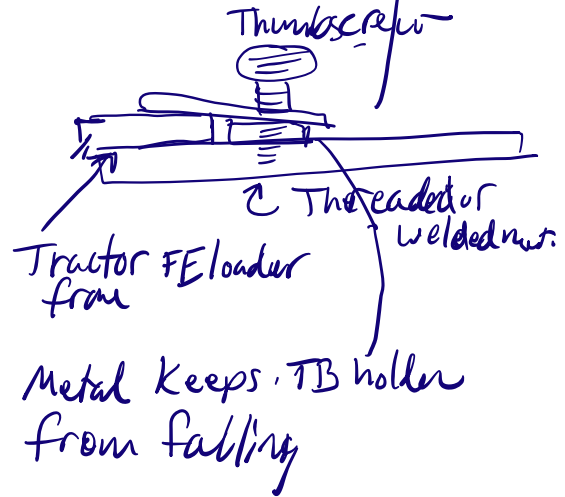
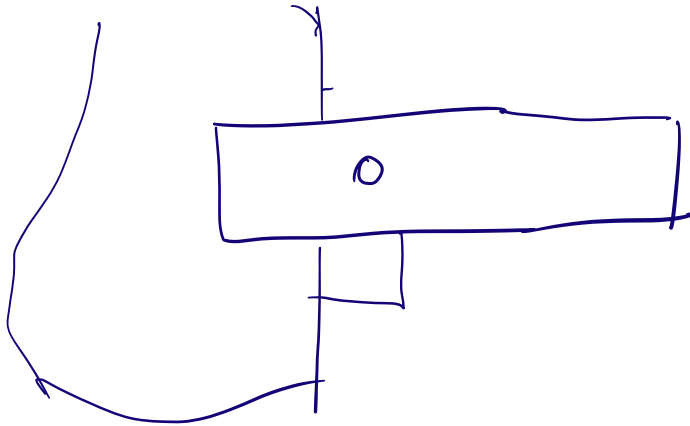
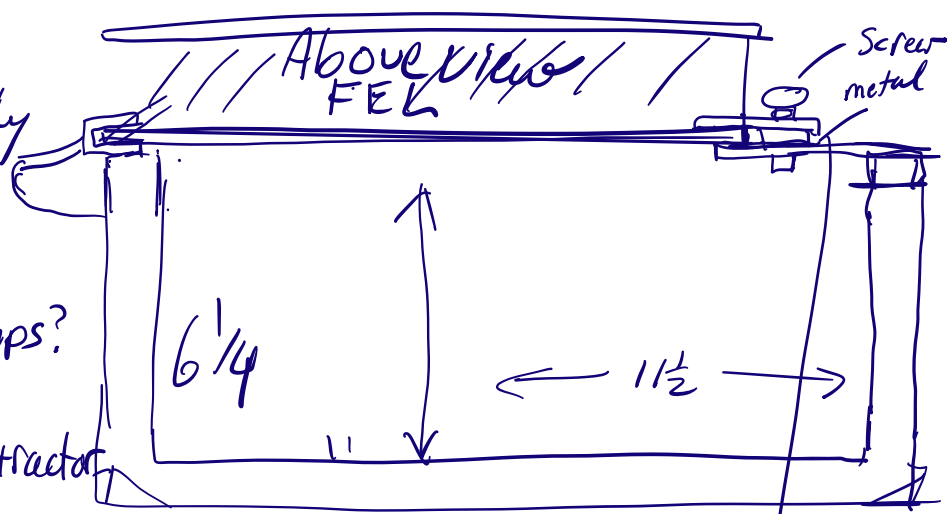
or attach to front end loader bracket

if on back of seat - box must be easily removable for maintenance.



This design can successfully hold on by gravity.  
Can be removed w/out tools.  
Could it fall off in bumps?

Front of tractor



The box slides neatly into the tool box holder